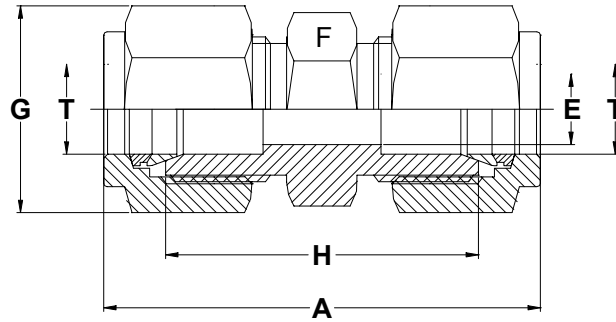


UNION



| | A | E | F | G | H | PART NO. |
|----|------|------|----|----|------|----------|
| mm | mm | mm | mm | mm | mm | |
| 3 | 35.3 | 2.4 | 11 | 11 | 22.1 | D-U3 |
| 6 | 41 | 4.8 | 14 | 14 | 26.2 | D-U6 |
| 8 | 43.2 | 6.3 | 16 | 16 | 26.2 | D-U8 |
| 10 | 46.2 | 7.9 | 17 | 19 | 31 | D-U10 |
| 12 | 51.2 | 9.5 | 22 | 22 | 31 | D-U12 |
| 14 | 52 | 11.1 | 24 | 25 | 31 | D-U14 |
| 15 | 52 | 11.9 | 24 | 25 | 31.8 | D-U15 |
| 16 | 52 | 12.7 | 24 | 25 | 31.8 | D-U16 |
| 18 | 53.5 | 15.1 | 27 | 30 | 33.3 | D-U18 |
| 20 | 55 | 15.9 | 30 | 32 | 34.8 | D-U20 |
| 22 | 55 | 18.3 | 30 | 32 | 34.8 | D-U22 |
| 25 | 65 | 21.8 | 35 | 38 | 40.4 | D-U25 |

| TUBE OD - T | A | E | F | G | H | PART NO. |
|-------------|------|------|----|------|------|----------|
| inch | mm | mm | mm | mm | mm | |
| 1/8 | 35.6 | 2.4 | 11 | 11 | 22.4 | 2D-U |
| 1/4 | 40.9 | 4.8 | 14 | 14 | 26.2 | 4D-U |
| 5/16 | 42.9 | 6.3 | 14 | 16 | 28.2 | 5D-U |
| 3/8 | 45 | 7.1 | 16 | 17 | 30.2 | 6D-U |
| 1/2 | 51.3 | 10.4 | 22 | 22 | 31 | 8D-U |
| 5/8 | 52 | 12.7 | 24 | 25 | 31.8 | 10D-U |
| 3/4 | 53.6 | 15.8 | 27 | 28.5 | 33.3 | 12D-U |
| 7/8 | 55.2 | 18.2 | 30 | 32 | 34.8 | 14D-U |
| 1 | 64.8 | 22.3 | 35 | 38 | 40.4 | 16D-U |

S.D.INDUSTRIES.

An ISO 9001 : 2000 Company

Hydraulics, Pneumatics, Instrumentation Fittings, Manifolds & Valves

2/10, Singh Industrial Estate, Ram Mandir Road, Goregaon (W), Mumbai-400 104, India

◆ Phone: +91 22 28791745 / 55 / 56 ◆ Fax: +91 22 28752130

◆ Email: sdind@vsnl.com ◆ www.sdindustries.com

"We Deliver Confidence Through Quality Products."