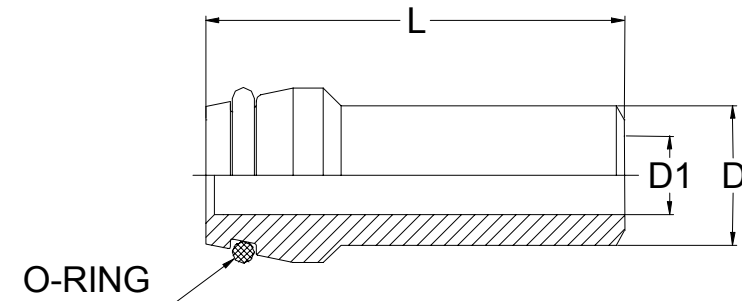


## WELDING NIPPLE WITH O-RING



PRESSURE	TUBE SPECIFICATIONS	L	D	D1	PART NO.
630 Kg/cm <sup>2</sup>	10 X 1	32.5	10	8	WNO 10 X 1
630 Kg/cm <sup>2</sup>	10 X 1.5	32.5	10	7	WNO 10 X 1.5
630 Kg/cm <sup>2</sup>	10 X 2	32.5	10	6	WNO 10 X 2
630 Kg/cm <sup>2</sup>	12 X 1.5	32.5	12	9	WNO 12 X 1.5
630 Kg/cm <sup>2</sup>	12 X 2	32.5	12	8	WNO 12 X 2
630 Kg/cm <sup>2</sup>	12 X 2.5	32.5	12	7	WNO 12 X 2.5
400 Kg/cm <sup>2</sup>	16 X 1.5	39	16	13	WNO 16 X 1.5
400 Kg/cm <sup>2</sup>	16 X 2	39	16	12	WNO 16 X 2
400 Kg/cm <sup>2</sup>	16 X 2.5	39	16	11	WNO 16 X 2.5
400 Kg/cm <sup>2</sup>	16 X 3	39	16	10	WNO 16 X 3
400 Kg/cm <sup>2</sup>	20 X 2	45	20	16	WNO 20 X 2
400 Kg/cm <sup>2</sup>	20 X 2.5	45	20	15	WNO 20 X 2.5
400 Kg/cm <sup>2</sup>	20 X 3	45	20	14	WNO 20 X 3
400 Kg/cm <sup>2</sup>	20 X 4	45	20	12	WNO 20 X 4
400 Kg/cm <sup>2</sup>	25 X 3	49.5	25	19	WNO 25 X 3
400 Kg/cm <sup>2</sup>	25 X 4	49.5	25	17	WNO 25 X 4
400 Kg/cm <sup>2</sup>	25 X 5	49.5	25	15	WNO 25 X 5
400 Kg/cm <sup>2</sup>	30 X 3	52	30	24	WNO 30 X 3
400 Kg/cm <sup>2</sup>	30 X 4	52	30	22	WNO 30 X 4
400 Kg/cm <sup>2</sup>	30 X 5	52	30	20	WNO 30 X 5
400 Kg/cm <sup>2</sup>	30 X 6	52	30	18	WNO 30 X 6
250 Kg/cm <sup>2</sup>	38 X 4	56.5	38	30	WNO 38 X 4
250 Kg/cm <sup>2</sup>	38 X 5	56.5	38	28	WNO 38 X 5
250 Kg/cm <sup>2</sup>	38 X 6	56.5	38	26	WNO 38 X 6
250 Kg/cm <sup>2</sup>	38 X 7	56.5	38	24	WNO 38 X 7

## **S.D.INDUSTRIES.**

An ISO 9001 : 2000 Company

**Hydraulics, Pneumatics, Instrumentation Fittings, Manifolds & Valves**

2/10, Singh Industrial Estate, Ram Mandir Road, Goregaon (W), Mumbai-400 104, India

◆ Phone: +91 22 28724724, +91 22 28738511 ◆ Fax: +91 22 28752130

◆ Email: [sdind@vsnl.com](mailto:sdind@vsnl.com) ◆ [www.sdinds.com](http://www.sdinds.com)

***"We Deliver Confidence Through Quality Products."***