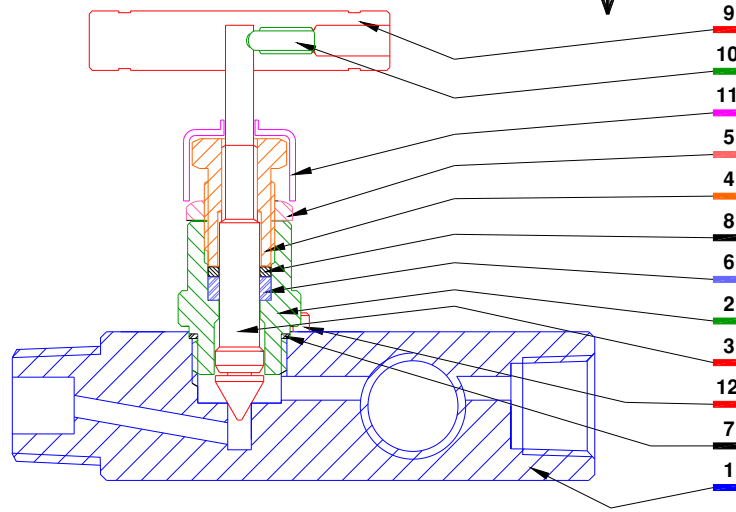
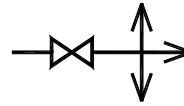




## GAUGE ROOT NEEDLE VALVE

MODEL : GRNV



FLOW →

### FEATURES

#### Design

Screwed bonnet

#### Bonnet

Back seat blowout proof

#### Stem

Rolled stem operating threads.

#### Stem tip

Self centering non rotating, rotating, regulating and soft seated

#### Bonnet Pusher

Silver plated for anti galling freezing for increased stem cycle life

#### Dust Cap

Protects stem threads from increase of contamination.

Colour coded identification.

#### Handle

Low torque operating

#### Sealing

Leak tight seal for easy operation of valve.

### SPECIFICATION

#### Size

1/2" M x 1/2" F,  
3/4" M x 3/4" F,

#### End ports

NPT, BSPT, butt weld, socket weld,

#### Version

Straight

NO	DESCRIPTION	QTY	MATERIAL
1	BODY	1	SS 316
2	BONNET	1	SS 316
3	STEM	1	SS 316
4	BONNET PUSHER	1	SS 316
5	LOCK NUT	1	SS 316
6	PACKING	1	PTFE
7	BONNET SEAL	1	PTFE
8	WASHER	1	SS 316
9	HANDLE	1	SS 304
10	GRUB SCREW	1	SS
11	DUST CAP	1	PLASTIC
12	LOCKING PIN	1	SS 304

#### Max. Std. Pressure

6000 Psi (413 Bar)

#### Temperature Rating

PTFE 450° F (232° C)

Grafoil 700° F (371° C)

#### Material

SS 316, SS 304, C.S., F11, Hastelloy, Monel

#### Stem Packing

PTFE, Grafoil

#### Standard seat

Ø4mm

#### Panel mount option

All valves are 100% Factory tested prior to shipment.