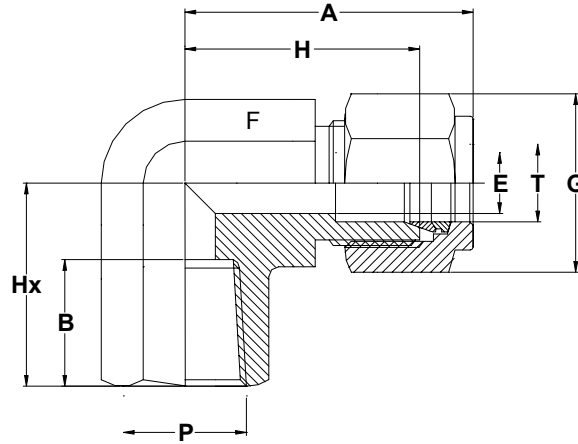


**FEMALE STUD ELBOW (STUD END TAPER)
METRIC OD TUBES X NPT THREAD-N**



	P	A	B	E	F	G	H	Hx	PART NO.
mm	NPT (F)	mm	mm	mm	mm	mm	mm	mm	
3	1/8	24.6	10.4	2.4	14	11	18	19	DFE3-N2
3	1/4	27.4	15	2.4	19	11	20.8	22.4	DFE3-N4
6	1/8	27	10.4	4.8	14	14	19.6	19	D-FE6-N2
6	1/4	29.8	15	4.8	19	14	22.4	22.4	D-FE6-N4
6	1/2	34.6	19.8	4.8	27	14	27.2	28.5	D-FE6-N8
8	1/4	30.6	15	6.3	19	16	23.1	22.4	D-FE8-N4
8	3/8	32.6	15	6.3	22	16	25.1	22.4	D-FE8-N6
10	1/4	33.5	15	7.9	19	19	25.9	22.4	D-FE10-N4
10	3/8	33.5	15	7.9	22	19	25.9	22.4	D-FE10-N6
12	1/4	36	15	9.5	22	22	25.9	22.4	D-FE12-N4
12	3/8	36	15	9.5	22	22	25.9	22.4	D-FE12-N6
12	1/2	38.8	19.8	9.5	27	22	28.7	28.5	D-FE12-N8
16	1/2	39.5	19.8	12.7	27	25	29.7	28.5	D-FE16-N8
25	3/4	49	20.6	22.3	35	38	36.8	31.8	D-FE25-N12
25	1	53.6	25.4	22.3	41	38	41.4	38.1	D-FE25-N16

S.D.INDUSTRIES.

An ISO 9001 : 2000 Company

Hydraulics, Pneumatics, Instrumentation Fittings, Manifolds & Valves

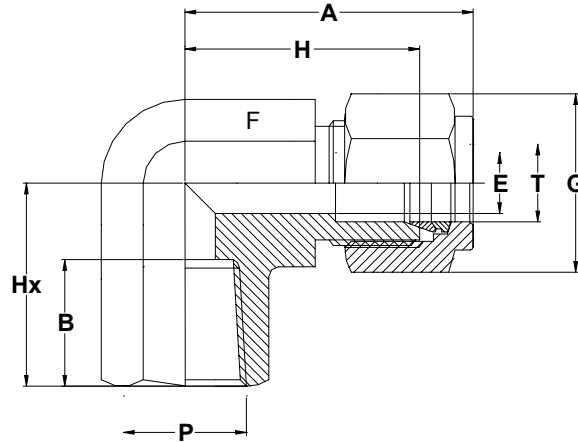
2/2/10, Singh Industrial Estate, Ram Mandir Road, Goregaon (W), Mumbai-400 104, India

◆ Phone: +91 22 28791745 / 55 / 56 ◆ Fax: +91 22 28752130

◆ Email: sdind@vsnl.com ◆ www.sdindustries.com

"We Deliver Confidence Through Quality Products."

**FEMALE STUD ELBOW (STUD END TAPER)
INCH OD TUBES X NPT THREAD-N**



TUBE OD - T	P	A	B	E	F	G	H	Hx	PART NO.
inch	NPT (F)	mm	mm	mm	mm	mm	mm	mm	
1/8	1/8	24.6	10.4	2.4	14	11	18	19	2D-FEN
1/8	1/4	27.4	15	2.4	19	11	20.8	22.4	2-4D-FEN
1/4	1/8	26.9	10.4	4.8	14	14	19.6	19	4-2D-FEN
1/4	1/4	29.7	15	4.8	19	14	22.4	22.4	4D-FEN
1/4	3/8	31.8	15	4.8	22	14	24.4	22.4	4-6D-FEN
1/4	2/4	34.6	19.8	4.8	27	14	27.2	28.5	4-8D-FEN
3/8	1/8	30.5	10.4	7.1	17	17	23.2	19.1	6-2D-FEN
3/8	1/4	31.2	15	7.1	19	17	23.9	22.4	6-4D-FEN
3/8	3/8	33.3	15	7.1	22	17	25.9	22.4	6D-FEN
3/8	1/2	36	19.8	7.1	27	17	28.7	28.5	6-8D-FEN
1/2	1/4	36	15	7.1	22	22	25.9	22.4	8-4D-FEN
1/2	3/8	36	15	10.4	22	22	25.9	22.4	8-6D-FEN
1/2	1/2	38.9	19.8	10.4	17	22	28.7	28.5	8D-FEN
3/4	1/2	39.9	19.8	15.8	27	28.5	29.7	28.5	12-8D-FEN
3/4	3/4	44.7	20.6	15.8	35	28.5	34.6	31.8	12D-FEN
1	3/4	49	20.6	22.3	35	38	36.8	31.8	16-12D-FEN
1	1	53.6	25.4	22.3	41	38	41.4	38.1	16D-FEN

S.D.INDUSTRIES.

An ISO 9001 : 2000 Company

Hydraulics, Pneumatics, Instrumentation Fittings, Manifolds & Valves

2/2/10, Singh Industrial Estate, Ram Mandir Road, Goregaon (W), Mumbai-400 104, India

◆ Phone: +91 22 28791745 / 55 / 56 ◆ Fax: +91 22 28752130

◆ Email: sdind@vsnl.com ◆ www.sdindustries.com

"We Deliver Confidence Through Quality Products."