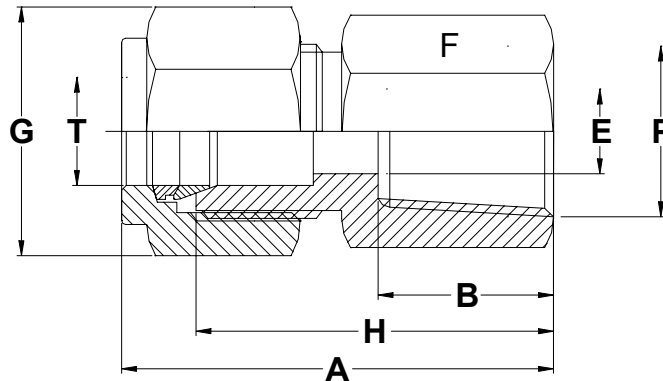


**FEMALE CONNECTOR (STUD END TAPER THREAD)  
METRIC OD TUBES X NPT THREAD-N**



TUBE OD - T	P		mm	mm	mm	mm	mm	PART NO.
	NPT (F)	mm						
3	1/8	28.7	10.4	2.4	14	11	22.1	D-FC3-N2
3	1/4	33.6	15	2.4	19	11	26.9	D-FC3-N4
6	1/8	31.2	9.9	4.8	14	14	23.9	D-FC6-N2
6	1/4	35.8	15	4.8	19	14	28.5	D-FC6-N4
6	3/8	37.6	15	4.8	22	14	30.2	D-FC6-N6
6	1/2	42.4	19.8	4.8	27	14	35	D-FC6-N8
10	1/4	37.6	15	7.1	19	17	30.2	D-FC10-N4
10	3/8	39.1	15	7.1	22	17	31.8	D-FC10-N6
10	1/2	43.9	19.8	7.1	27	17	36.6	D-FC10-N8
12	1/4	40.4	15	7.1	22	22	30.2	D-FC12-N4
12	3/8	41.9	15	10.4	22	22	30.2	D-FC12-N6
12	1/2	46.7	19.8	10.4	27	22	36.6	D-FC12-N8
25	3/4	53.4	20.6	22.3	35	38	41.2	D-FC25-N12
25	1	62.3	25.4	22.3	41	38	50	D-FC25-N16

**S.D.INDUSTRIES.**

An ISO 9001 : 2000 Company

**Hydraulics, Pneumatics, Instrumentation Fittings, Manifolds & Valves**

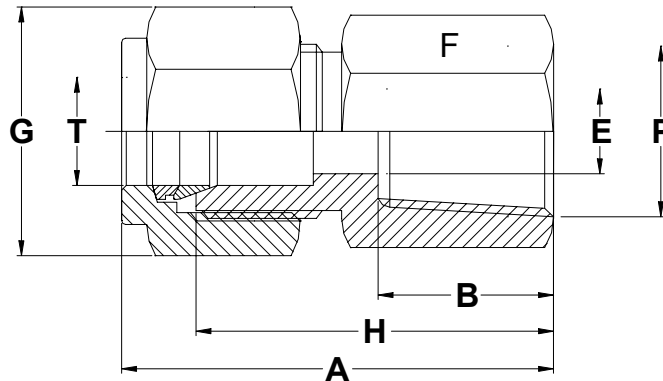
2/10, Singh Industrial Estate, Ram Mandir Road, Goregaon (W), Mumbai-400 104, India

◆ Phone: +91 22 28791745 / 55 / 56 ◆ Fax: +91 22 28752130

◆ Email: [sdind@vsnl.com](mailto:sdind@vsnl.com) ◆ [www.sdindustries.com](http://www.sdindustries.com)

***"We Deliver Confidence Through Quality Products."***

**FEMALE CONNECTOR (STUD END TAPER THREAD)  
INCH OD TUBES X NPT THREAD-N**



TUBE OD - T	P NPT (F)							PART NO.
		mm	mm	mm	mm	mm	mm	
1/8	1/8	28.7	10.4	2.4	14	11	22.1	2D-FCN
1/8	1/4	33.6	15	2.4	19	11	26.9	2-4D-FCN
1/4	1/8	31.2	9.9	4.8	14	14	23.9	4-2D-FCN
1/4	1/4	35.8	15	4.8	19	14	28.5	4D-FCN
1/4	3/8	37.6	15	4.8	22	14	30.2	4-6D-FCN
1/4	1/2	42.4	19.8	4.8	27	14	35.0	4-8D-FCN
3/8	1/4	37.6	15	7.1	19	17	30.2	6-4D-FCN
3/8	3/8	39.1	15	7.1	22	17	31.8	6D-FCN
3/8	1/2	43.9	19.8	7.1	27	17	36.6	6-8D-FCN
1/2	1/4	40.4	15	7.1	22	22	30.2	8-4D-FCN
1/2	3/8	41.9	15	10.4	22	22	30.2	8-6D-FCN
1/2	1/2	46.7	19.8	10.4	27	22	36.6	8D-FCN
5/8	3/8	41.9	15	12.7	24	25	31.8	10-6D-FCN
5/8	1/2	46.7	19.8	12.7	27	25	36.6	10-8D-FCN
3/4	1/2	46.7	19.8	15.8	27	28.5	36.6	12-8D-FCN
3/4	3/4	48.3	20.6	15.8	35	28.5	38.1	12D-FCN
7/8	3/4	49.8	20.6	18.3	35	32	39.6	14-12D-FCN
1	3/4	53.4	20.6	22.3	35	38	41.2	16-12D-FCN
1	1	62.3	25.4	22.3	41	38	50.0	16D-FCN

**S.D.INDUSTRIES.**

An ISO 9001 : 2000 Company

**Hydraulics, Pneumatics, Instrumentation Fittings, Manifolds & Valves**

2/10, Singh Industrial Estate, Ram Mandir Road, Goregaon (W), Mumbai-400 104, India

◆ Phone: +91 22 28791745 / 55 / 56 ◆ Fax: +91 22 28752130

◆ Email: [sdind@vsnl.com](mailto:sdind@vsnl.com) ◆ [www.sdindustries.com](http://www.sdindustries.com)

***"We Deliver Confidence Through Quality Products."***