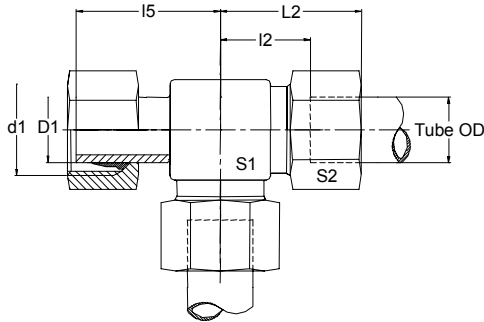
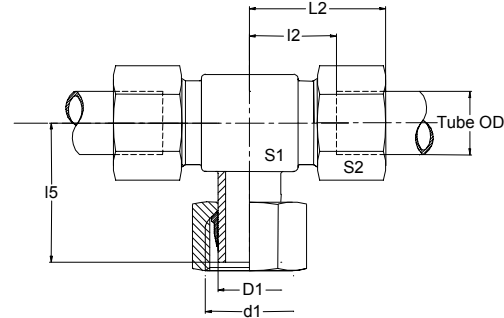


SWIVEL TEE

SWIVEL BRANCH TEE



SWIVEL RUN TEE



		TUBE OD.	S1	S2	L2	I2	I5	D1	d1	PART NO.		
METRIC SIZE TUBE	L	250 Kg/cm ²	6	12	14	27	12	26	6	M12 X 1.5	SwBT6L	
			8	14	17	29	14	27.5	8	M14 X 1.5	SwBT8L	
			10	17	19	30	15	29	10	M16 X 1.5	SwBT10L	
			12	19	22	32	17	29.5	12	M18 X 1.5	SwBT12L	
			15	22	27	36	21	32.5	15	M22 X 1.5	SwBT15L	
		160 Kg/cm ²	18	27	32	40	23.5	35.5	18	M26 X 1.5	SwBT18L	
			22	30	36	44	27.5	38.5	22	M30 X 2	SwBT22L	
			100 Kg/cm ²	28	36	41	47	30.5	41.5	28	M36 X 2	SwBT28L
				35	46	50	56	34.5	51	35	M45 X 2	SwBT35L
				42	55	60	63	40	56	42	M52 X 2	SwBT42L
	H	630 Kg/cm ²	6	14	17	31	16	27	6	M14 X 1.5	SwBT6L	
			8	17	19	32	17	27.5	8	M16 X 1.5	SwBT8L	
			10	19	22	34	17.5	30	10	M18 X 1.5	SwBT10L	
			12	22	24	38	21.5	31	12	M20 X 1.5	SwBT12L	
14			22	27	40	22	34.5	14	M22 X 1.5	SwBT14L		
400 Kg/cm ²		16	24	30	43	24.5	36.5	16	M24 X 1.5	SwBT16L		
		20	30	36	48	26.5	44.5	20	M30 X 2	SwBT20L		
		25	36	46	54	30	50	25	M36 X 2	SwBT25L		
250 Kg/cm ²		30	44	50	62	35.5	55	30	M42 X 2	SwBT30L		
		38	55	60	72	41	63	38	M52 x 2	SwBT38L		

NOTE:
THE PART NUMBERS GIVEN HERE ARE FOR SWIVEL BRANCH TEE. CORRESPONDING PART NUMBERS FOR SWIVEL RUN TEE CAN BE OBTAINED BY SUBSTITUTING 'SwRT' FOR 'SwBT'.

S.D.INDUSTRIES.

An ISO 9001 : 2000 Company

Hydraulics, Pneumatics, Instrumentation Fittings, Manifolds & Valves

2/10, Singh Industrial Estate, Ram Mandir Road, Goregaon (W), Mumbai-400 104, India

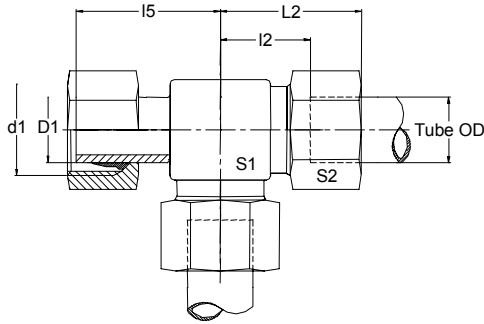
◆ Phone: +91 22 28724724, +91 22 28738511 ◆ Fax: +91 22 28752130

◆ Email: sdind@vsnl.com ◆ www.sdinds.com

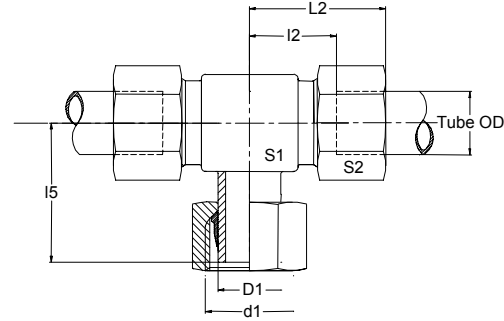
"We Deliver Confidence Through Quality Products."

SWIVEL TEE

SWIVEL BRANCH TEE



SWIVEL RUN TEE



	SERIES	TUBE OD.	S1	S2	L2	I2	I5	D1	d1	PART NO.
INCH SIZE OD TUBE	6000 PSI	1/4"	0.55	0.67	1.26	0.62	1.06	1/4"	M14 X 1.5	4SwBT
		3/8"	0.66	0.75	1.22	0.59	1.12	3/8"	M16 X 1.5	6SwBT
		1/2"	0.87	0.94	1.49	0.82	1.25	1/2"	M20 X 1.5	8SwBT
		3/4"	1.06	1.25	1.87	1.04	1.53	3/4"	M27 X 1.5	12SwBT
		1"	1.42	1.75	2.12	1.18	1.92	1"	M36 X 2	16SwBT
	3000 PSI	1 1/4"	1.73	1.97	2.44	1.38	2.16	1 1/4"	M42 X 2	20SwBT
		1 1/2"	2.16	2.36	2.79	1.57	2.48	1 1/2"	M52 x 2	24SwBT
	2000 PSI	2"	2.50	2.75	3.07	1.91	3.11	2"	M60 X 2	32SwBT

S.D.INDUSTRIES.

An ISO 9001 : 2000 Company

Hydraulics, Pneumatics, Instrumentation Fittings, Manifolds & Valves

2/10, Singh Industrial Estate, Ram Mandir Road, Goregaon (W), Mumbai-400 104, India

◆ Phone: +91 22 28724724, +91 22 28738511 ◆ Fax: +91 22 28752130

◆ Email: sdind@vsnl.com ◆ www.sdinds.com

"We Deliver Confidence Through Quality Products."