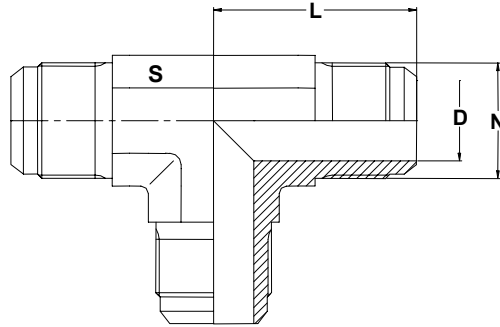


UNION TEE



TUBE OD		UN / UNF N	S mm	L mm	D mm	PART NO.
mm	inch					
6	1/4	7/16 -20	11	22.6	4.4	4F-T
8	5/16	1/2 -20	13	24.1	6	5F-T
10	3/8	9/16 -18	14	26.9	7.5	6F-T
12	1/2	3/4 -16	19	31.8	9.9	8F-T
14/15/16	5/8	7/8 -14	22	36.8	12.3	10F-T
18/20	3/4	1 1/16 -12	27	42.2	15.5	12F-T
25	1	1 5/16 -12	33	46	21.5	16F-T
28/30/32	1 1/4	1 5/8 -12	41	52.3	27.5	20F-T
35/38	1 1/2	1 7/8 -12	48	59.2	33	24F-T

S.D.INDUSTRIES.

An ISO 9001 : 2000 Company

Hydraulics, Pneumatics, Instrumentation Fittings, Manifolds & Valves

2/10, Singh Industrial Estate, Ram Mandir Road, Goregaon (W), Mumbai-400 104, India

◆ Phone: +91 22 28724724, +91 22 28738511 ◆ Fax: +91 22 28752130

◆ Email: sdind@vsnl.com ◆ www.sdinds.com

"We Deliver Confidence Through Quality Products."